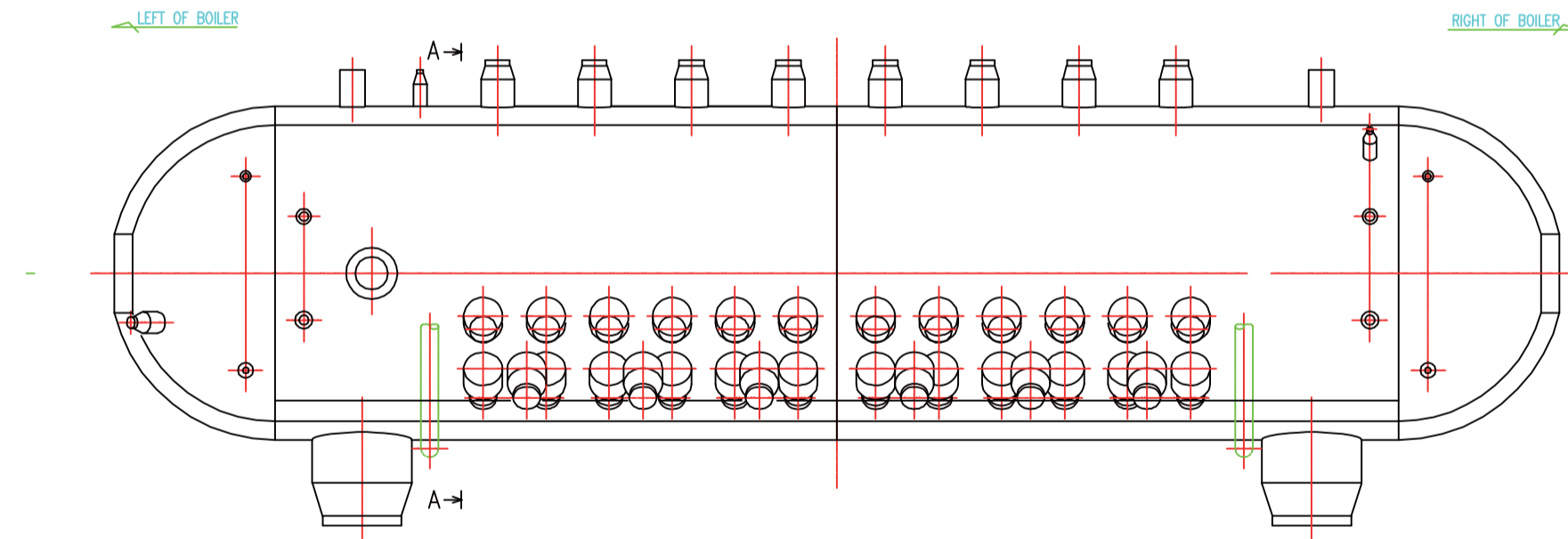
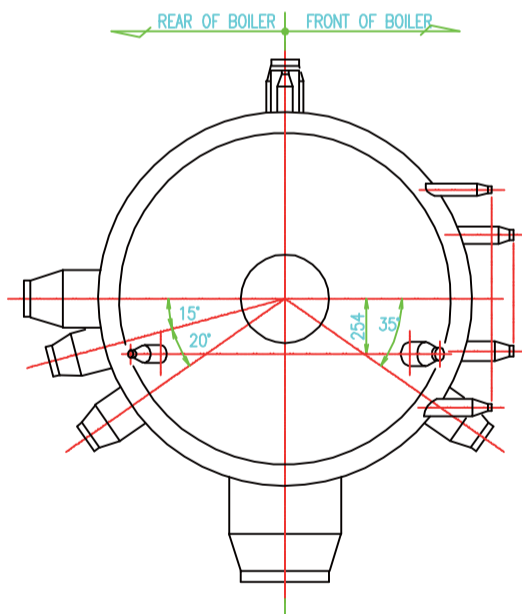


BOILER FRONT VIEW



DEVELOPMENT OF OUTSIDE SHELL

